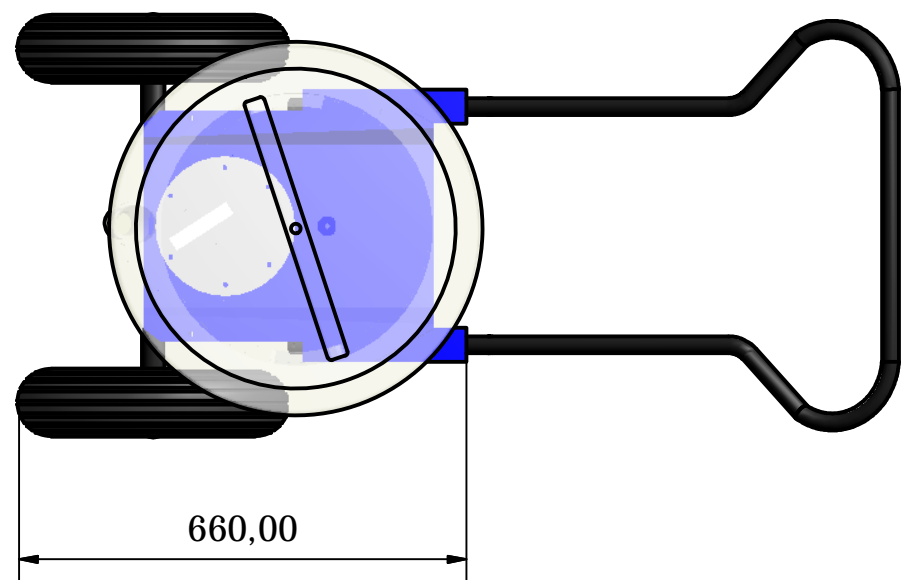
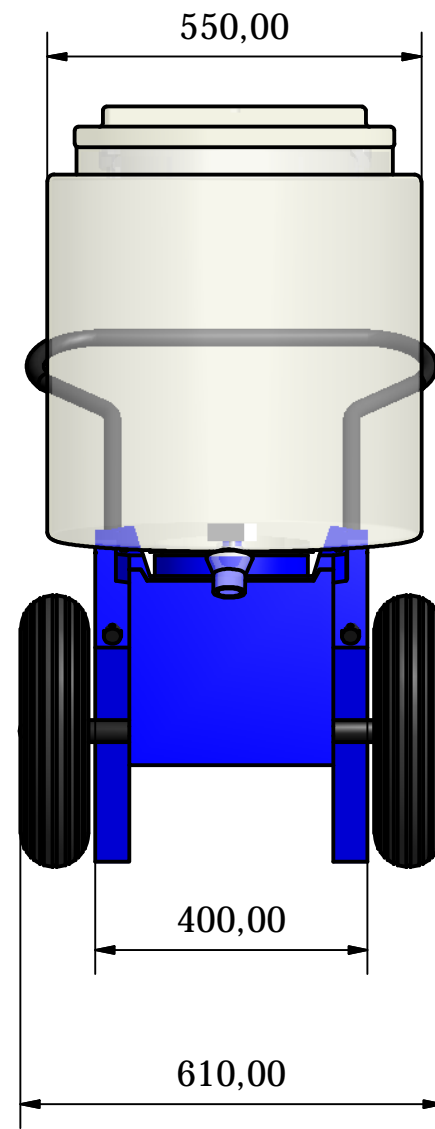
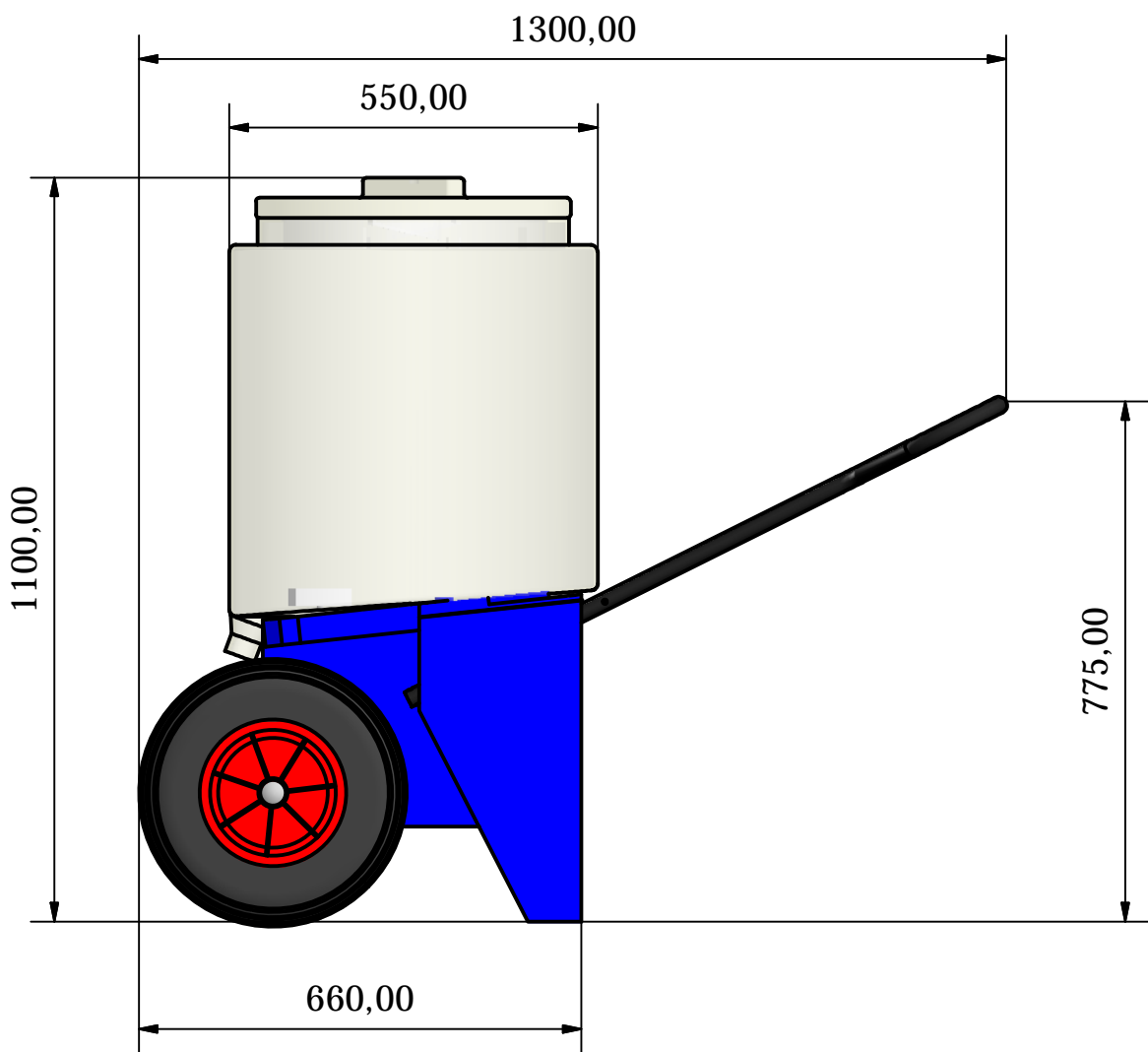


DO NOT SCALE UNLESS STATED - IF IN DOUBT ASK



Material	
Qty Req'd	

WYDALE PLASTICS LTD		CUSTOMER: Wydale Plastics	
Cathole Bridge Rd, Crewkerne, Somerset, TA18 8RF Tel: 01460 73212 Fax: 01460 77348		PROJECT: Milk Mixer / Trolley	
THIS DRAWING AND THE INFORMATION THEREON IS THE SOLE PROPERTY OF WYDALE PLASTICS LTD AND SHALL NOT BE COPIED OR REPRODUCED WITHOUT THE CONSENT OF WYDALE PLASTICS LTD.		DRAWN DATE: 24/11/2011	DESIGNED BY: robinw
DIMENSIONS ARE ALL IN MM UNLESS OTHERWISE STATED. ALL TOLERANCES +/- 1MM UNLESS STATED.		CHECKED BY:	
SHEET 1 OF 1	REV A	DRAWING NO:	

REV	ZONE	DESCRIPTION	DATE